

Instruction Manual

Cool TopMounted 1D series wall



Date: 05-04-2017

Version: 0.5

LoadLok® International B.V.

Oudewei 4

4004 LS TIEL

Nederland

T +31 (0)344-670 960

F +31 (0)344-700 000

Document history

Version	Status	Date	Author	Remarks
0.1	Concept	13 Jan 2017		
0.5	Review	05 Apr 2017		

Contents

1	Introduction	5
1.1	Preface.....	5
1.2	Common information	5
1.3	Notes to the operator.....	5
1.4	Reading instructions	5
1.5	List with abbreviations.....	6
2	Safety.....	7
2.1	Signs on the product.....	7
2.2	Signs in the manual	7
3	Mounting the J-track	8
3.1	Parts needed	8
3.1.1	Mandatory parts.....	8
3.1.2	Optional parts.....	10
3.1.3	Consumables	12
3.1.4	Parts to be supplied by yourself.....	13
3.2	Tools needed	14
4	Mounting the track.....	15
5	Installation of the Tempwall in the vehicle	19
6	Check the functionality of Frigowall.....	21
6.1	Connecting the built-in fan.....	21
7	Maintenance	22
8	Document information.....	23

1 INTRODUCTION

1.1 PREFACE

This operating manual is an essential aid for the correct and safe use of the insulation partition walls.

This manual contains important information for reliable, proper and efficient use of the insulating partitions. Adherence to the manual helps to avoid dangers, reduce repair costs and downtime and increase the reliability and the lifetime of insulating walls.

The instructions must be available to the operating personnel at all times. Any person who is authorized to use the insulating walls reads the operating instructions before use and then applies them accordingly.

1.2 COMMON INFORMATION

Do not expose the Cool TopMounted 1D series wall to outside weather conditions, extreme temperatures and direct sunlight.

Any change to the product makes the CE marking invalid. Please contact the manufacturer, if a modification of the product is necessary.

Loadlok reserves the right, if not being met to the requirements, to withdraw the guarantee of their product partially or entirely.

At the end of the lifecycle:

The end user can deliver the multi temp product to Loadlok. Loadlok provides environmentally sound disposal of their product and recycles parts if these are fit for reuse.

1.3 NOTES TO THE OPERATOR

This manual is an essential part of the insulating walls. The customer shall ensure that the operator adheres these instructions.

Note that in addition to the instructions, the laws of the country of the place of use are applicable and approved rules for accident prevention alongside with approved technical regulations for safe and professional work shall apply.

Any change to the product makes the CE marking invalid. Please contact the manufacturer, if a modification of the product is necessary.

1.4 READING INSTRUCTIONS



WARNING:

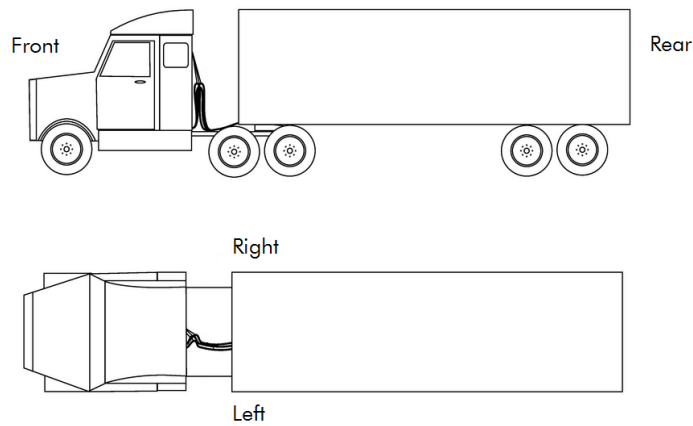
This is a warning of a potentially hazardous situation, resulting moderate or minor injury and / or property damage if the appropriate instruction is not followed exactly.



ATTENTION:

This is a reference to useful information for the safe and effective use.

Orientation







1.5 LIST WITH ABBREVIATIONS


- | | |
|------|--|
| 3060 | J-formed rail to guide the Cool TopMounted 1D series wall into the trailer. |
| 3062 | J-formed rail with locking holes to guide the Cool TopMounted 1D series wall into the trailer. |


2 SAFETY


2.1 SIGNS ON THE PRODUCT

 <p>ID. nr: TW60-0203</p> <p>MANUFACTURED BY:  DISTRIBUTED BY: </p>	<p>Type designation sign</p> <p>Common information of the Cool TopMounted 1D series wall</p>
 <p>Dient NICHT zur Ladungssicherung! Do NOT use for load securing!</p>	<p>Warning sign</p> <p>Do not use the Cool TopMounted 1D series wall as a load securing device!</p>

2.2 SIGNS IN THE MANUAL

	<p>WARNING:</p> <p>This is a warning of a risk of danger, with the possible consequence serious injury or death if the designated instruction is not exactly is followed.</p>
---	---


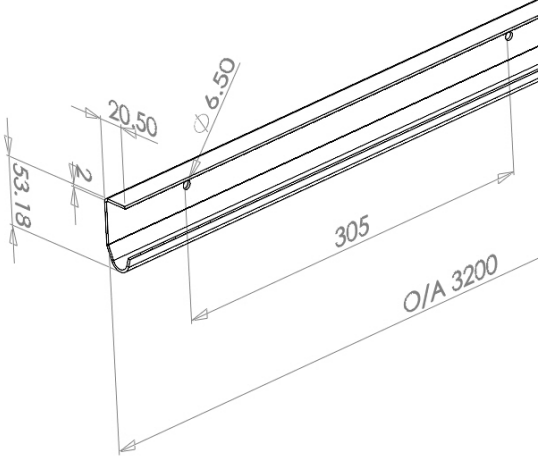


	<p>WARNING:</p> <p>This is a warning of a potentially hazardous situation, resulting moderate or minor injury and / or property damage if the appropriate instruction is not followed exactly.</p>
---	--


	<p>ATTENTION:</p> <p>This is a reference to useful information for the safe and effective use.</p>
---	--

3 MOUNTING THE J-TRACK

3.1 PARTS NEEDED

3.1.1 Mandatory parts

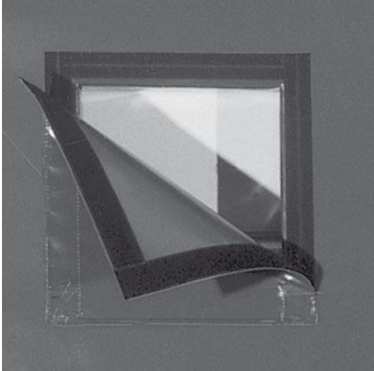
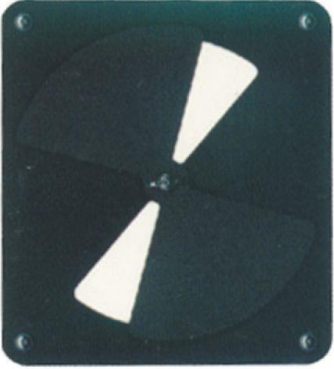

Material	Measurements	Article number / Description
<p>J-track</p> 		<p>14001328 3060 PG 3200 J Track</p>
<p>Notes:</p>		<p>Rubber end stop</p> 
<p>Notes:</p>		<p>11060164 Rubber end stop extra hole</p>
<p>Webbing with D-ring</p> 		<p>12009521 Webbing with D-ring</p>

Material	Measurements	Article number / Description
Stowage strap 		12009395 Blue ratchet 8031201 L=1.1 m


Notes: To be fitted on all ends. Is not accompanied with fasteners.

3.1.2 Optional parts

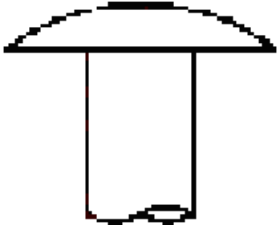
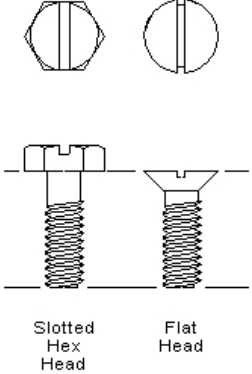
Material	Measurements	Article number / Description
<p>Steel stopper right side</p>  <p>Notes: Is delivered without fasteners</p>		<p>14003348</p> <p>Steel stopper right side for Bulkheads</p>
<p>Steel stopper left side</p>  <p>Notes: Is delivered without fasteners</p>		<p>14003346</p> <p>Steel stopper left side for Bulkheads</p>
<p>Trolley Tempwall</p>  <p>Notes:</p>		<p>12009378</p> <p>Trolley Tempwall</p>

Material	Measurements	Article number / Description
<p>Air return vent</p>  <p>Notes: Opening closed with a tarpaulin sheet with velcro</p>		<p>11060262</p> <p>Air return kit Tempwall</p>
<p>Air return vent</p>  <p>Notes: Opening closed with a butterfly valve</p>		<p>12010099</p> <p>Butterfly air return</p>
<p>Ventilator with thermostat</p>  <p>Notes: Spiral cable is included</p>		<p>11060320</p> <p>Tempwall80 12V Fan cable switch.</p>

3.1.3 Consumables

Material	Measurements	Article number / Description
<p>Polar wear strip</p>  <p>Notes:</p>		<p>12009573</p> <p>PVC safestrip super polar</p>

3.1.4 Parts to be supplied by yourself

Material	Measurements	Article number / Description
<p>Rivets</p>  <p>Notes: The length of the rivet is subject to the composition of the insulation wall of the trailer.</p> <p>This article is not in the delivery program of LoadLok.</p>	<p>Max 5 mm diameter</p>	<p>N.A.</p>
<p>Screw bolt</p>  <p>Notes: The length of the screw bolt is subject to the composition of the insulation wall of the trailer.</p> <p>Flathead optional: holes counter sunk for flush mounting. If this is a preference for mounting the IsoLok track, the mounting holes can be made counter sunk.</p> <p>This article is not in the delivery program of LoadLok.</p>	<p>Max 5 mm diameter</p>	<p>N.A.</p>

3.2 TOOLS NEEDED

Blind rivet pliers



Wrench



Spirit level tool



Measuring tape



Pipe wrench



4 MOUNTING THE TRACK

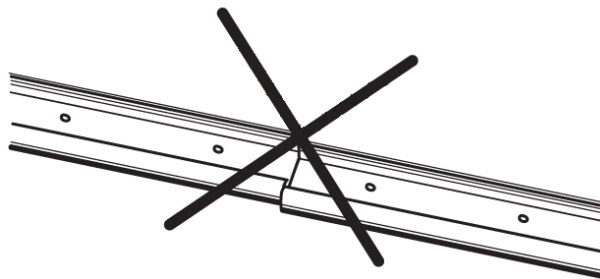
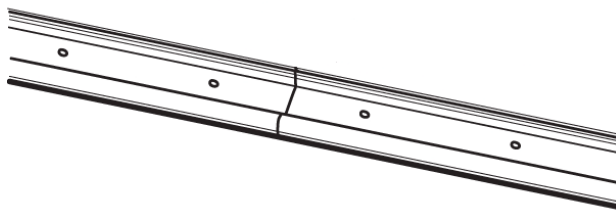


ATTENTION:

The procedure as described here must be performed twice, once on the left hand side and once on the right hand side of the trailer.

1. Measure the effective length of track to be used.

2.



For smooth running of the balancer trolley wheels over several tracks LoadLok advises to weld the tracks in the joining point in such way the balancer or trolley wheels never can interfere with the weld.

Make sure that the end edges of the rails are straight, so that the wheels of the vehicle can run continuous smoothly.

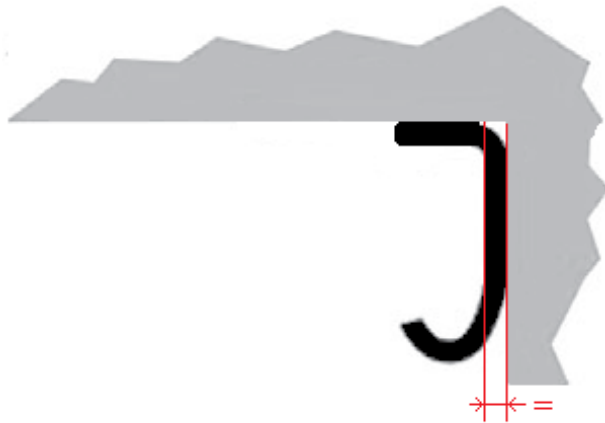
3. If the J-track is to be shortened, please leave enough material length in order to fasten the rubber end-stop with its steel cover plate.



ATTENTION:

Loadlok advises to use glue between the J-track and side walls which is fit for this purpose.

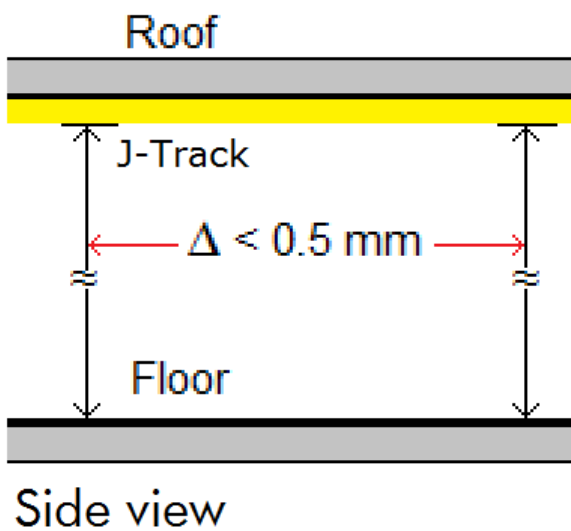
4.



Insert the guide rails in the outer left or right side of your vehicle.

Install the rails vertical (both to the wall and also to the ceiling).

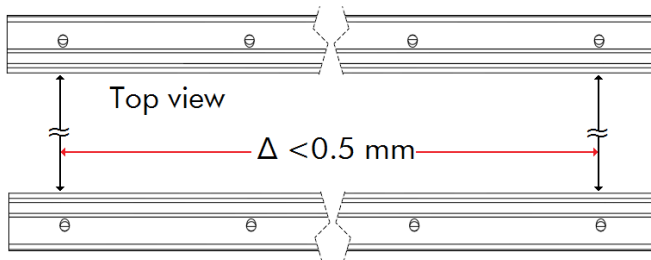
5.



Measure the distance from the floor to the J-track on both ends of the track.

The difference must be less than 0.5 mm as is shown in figure.

6.



Measure the distance between the tracks in the vehicle, like is shown in the figure.

The difference must be less than 0.5 mm.





ATTENTION:

Maintain the J-track on level!

The tolerance for smooth running is < 0.5 mm!

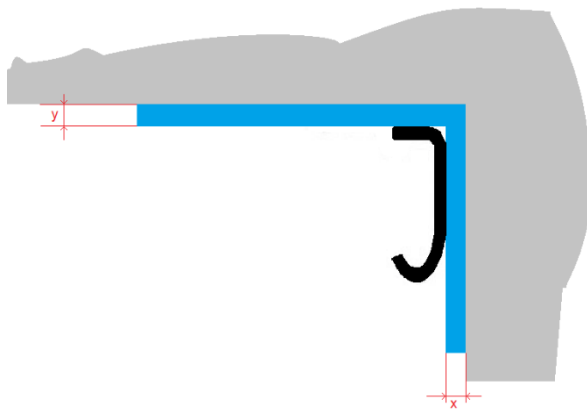
7. Use all mounting holes with a rivet or a screw bolt.

	<p>ATTENTION:</p> <p>When using rivets: Please fasten the J-track at least of a length of 750 mm with bolts for maintenance purposes of the Cool TopMounted 1D series wall</p>
---	--

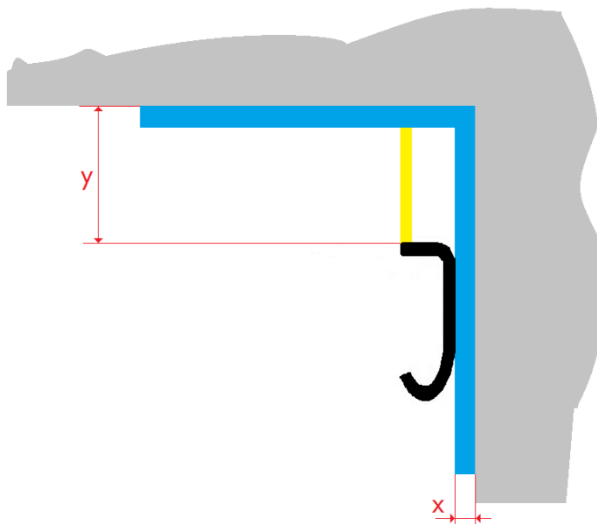
	<p>ATTENTION:</p> <p>Wait until the adhesive is fully hardened. Only then proceed with rolling the Cool TopMounted 1D series wall assembly into the track.</p>
---	--

8. In the case the trailer is reinforced in the edges with corner profiles:

The corner profile is shown in blue colour.



LoadLok advises to fill up the gap between the roof and the J-track. (shown in the figure in yellow)



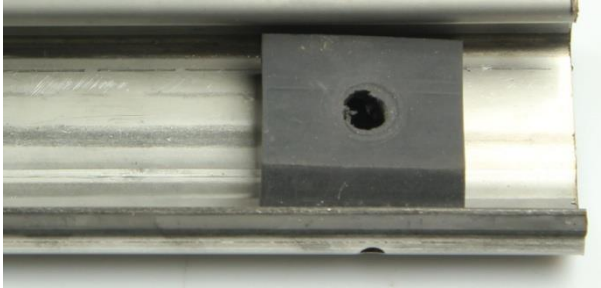


ATTENTION:

The X and Y values are passed when ordering the Cool TopMounted 1D series wall!

9. Mount the end stops at the bulkhead side of the J-track. (As is shown on position 10 or 11)

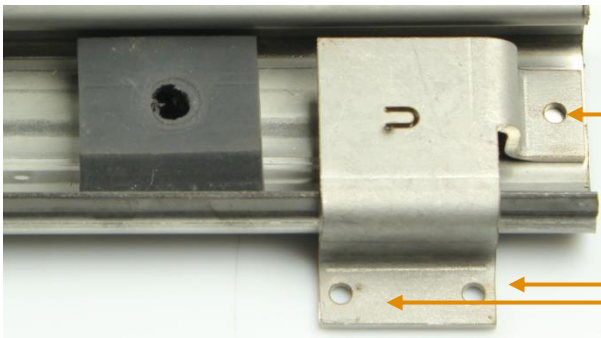
10.



Use the drain hole to mount / attach the end stop.

LoadLok advises to use a M5 x 30 bolt.

11.



Optional mount the steel stopper as shown in the figure. The hole in the J-track must be drilled.

In total 3 holes must be drilled!

5 INSTALLATION OF THE TEMPWALL IN THE VEHICLE



WARNING:

Ensure that the vehicle is positioned on a horizontal plane before continuing with the installation!



WARNING:

Severe injuries are possible due to the falling wall.
Use a lashing strap to secure the wall on the forks of the forklift to avoid falling.



ATTENTION:

Cover the lifting equipment as a precaution with soft material, in order to prevent damaging the Cool TopMounted 1D series wall.

1. Mount the wall with the trolleys into the track by hand.
2. Carefully lift the Cool TopMounted 1D series wall against the opening of the mounted guide rails and insert the wheels of the trolleys into the rail.
3. Slide the Cool TopMounted 1D series wall as far into the vehicle as possible so that the Cool TopMounted 1D series wall can not roll out of the unsecured rails.



WARNING:

Severe injuries are possible due to a falling wall.

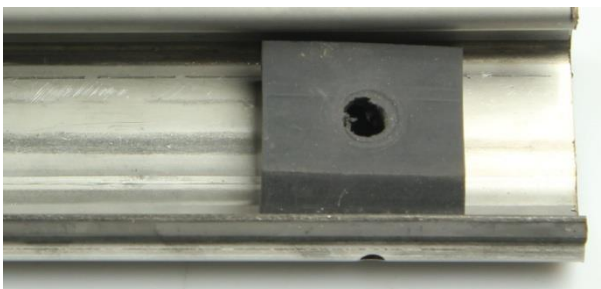


ATTENTION:

The wheels are freely movable sideways up to 10mm to compensate for differences in vehicle width.

4. Mount the end stops at the bulkhead side of the track. (As is shown on position 5 or 6)

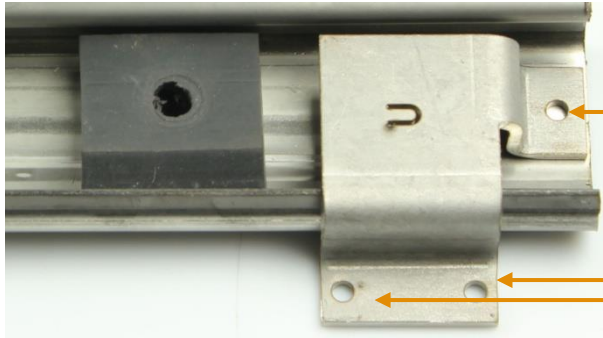
5.



Use the drain hole to mount / attach the end stop.

LoadLok advises to use a M5 x 30 bolt.

6.



Optional mount the steel stopper as shown in the figure. The hole in the IsoLok track must be drilled.

In total 3 holes must be drilled!

7.



ATTENTION:

Perform step 4 also for the other side of the trailer!

8. Set the Frigowall in vertical position.

6 CHECK THE FUNCTIONALITY OF FRIGOWALL

6.1 CONNECTING THE BUILT-IN FAN

1. The fan powered via the attached spiral power cable.

In this case connect inside the connector:

- The power supply, the cable is coloured brown.
- The trailers earth, the cable is coloured blue.



WARNING:

Make sure the power supply is secured with a 10A fuse!

2. Decide on which place(s) you attach the socket in the trailer taking into account the length of the cable to the fan.

7 MAINTENANCE

Maintenance table			
Manifestation of the failure	Possible cause or procedure to detect the failure	Solution	Performed by (unskilled till certified)
Leaking cold PVC-seal has wear	Icing on the sidewall is to be seen	Replace or repair seal of the Cool TopMounted 1D series wall in the same way as encountered.	Mechanic

If the Cool TopMounted 1D series wall is inspected on a regular basis on above mentioned inspection points the product lasts a lifetime.

8 DOCUMENT INFORMATION

Principal	Contractor	Digital file name
LoadLok Nederland B.V.	Foxiz BV	Mounting Instructions

Remarks, corrections or suggestions are welcomed by the technical department.